

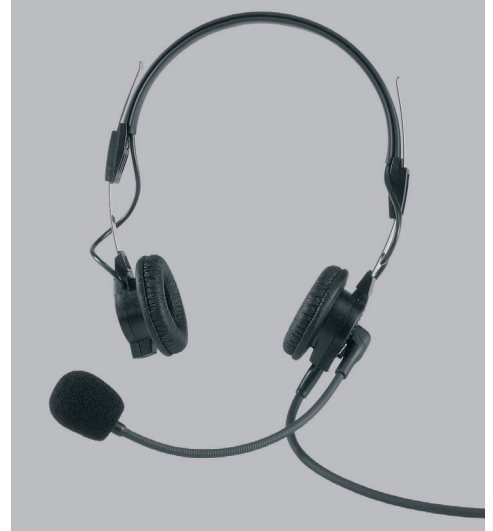
Model PH-44 Headset

CE

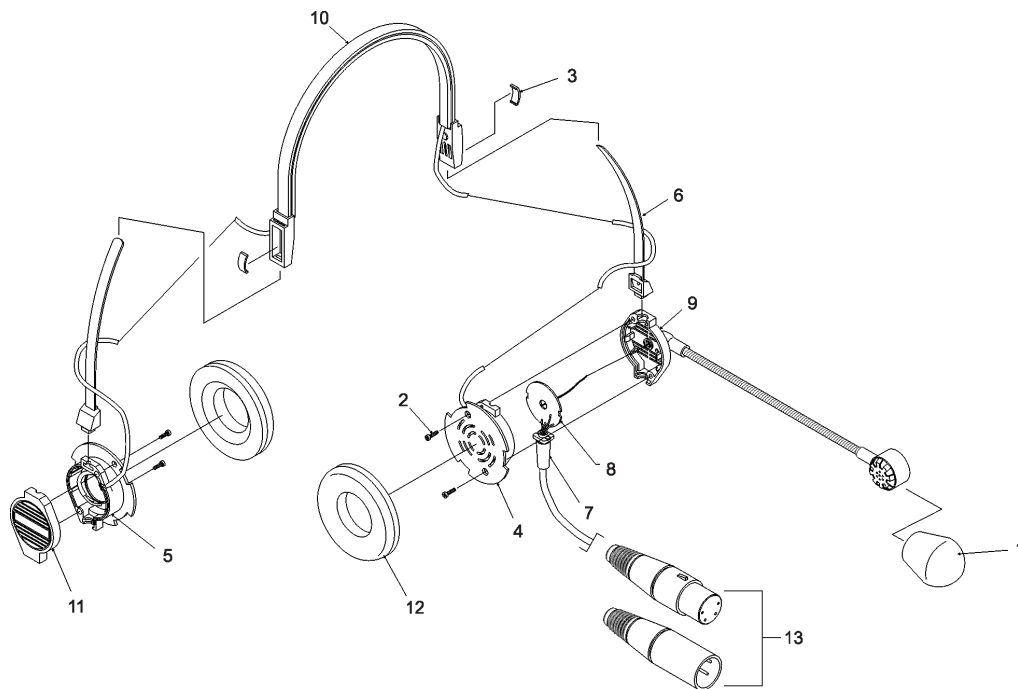
The PH44 headset is a super lightweight, dual-sided headset for the ultimate in day long comfort. The PH-44 features high quality dynamic earphones with a dynamic noise cancelling microphone on an adjustable boom that can be bent to practically any mouth-to-mic position. The unit has a straight cord and is available in various connector configurations.

Parts List

Item	Description	Qty.	Part No.
1	Windscreen	1	F.01U.163.625
2	PT-Pan Head Screw, KA15 x 6 (.236) LG, Black	4	F.01U.109.816
3	Glider Spring	2	F.01U.110.016
4	Housing Assy	1	F.01U.131.051
5	Housing Assy	1	F.01U.110.029
6	Glider Assy	2	F.01U.110.031
7	Cord Unit	1	F.01U.152.069
8	P.C. Board	1	F.01U.152.611
9	Boom Mic/Housing Assy	1	F.01U.110.453
10	Headband Assy	1	F.01U.110.038
11	Housing, Rear	1	F.01U.110.454
12	Ear Cushion	2	F.01U.109.819
13	Connector, PH-44, XLR-4F	1	F.01U.109.182
	Connector, PH-44R, XLR-4M	1	F.01U.146.871
	Connector, PH-44R5, XLR-5M	1	F.01U.146.873
	Connector, PH-44A5, XLR-5F	1	F.01U.109.183



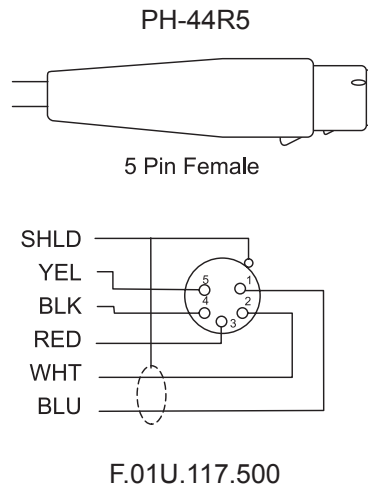
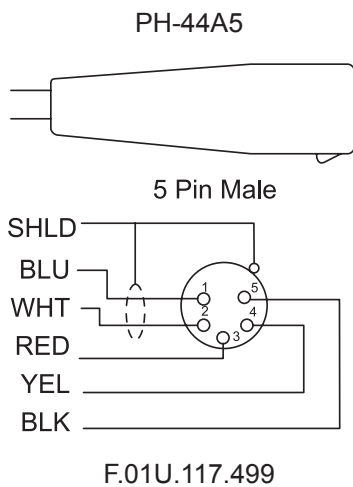
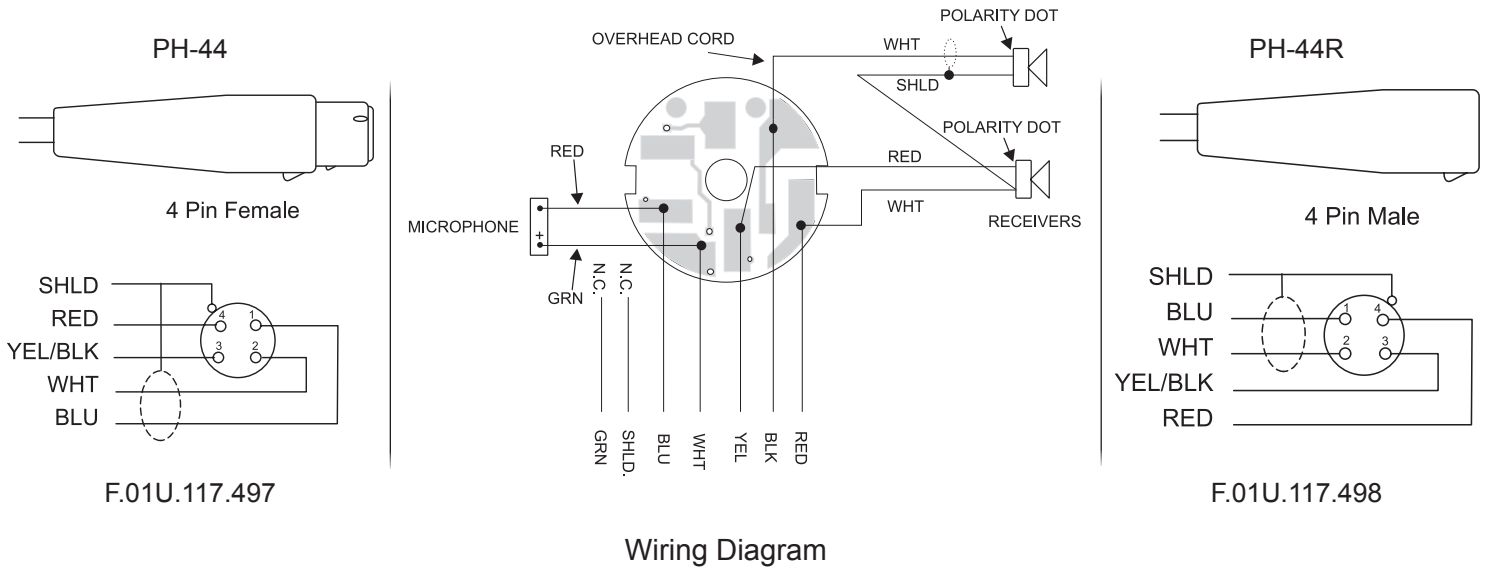
Exploded View



Specifications

Receiver Type.....	Dynamic
Receiver Impedance.....	300Ω
Microphone Type.....	Dynamic
Microphone Impedance.....	200Ω
Weight.....	5.1 oz (144.58 g)
Cord.....	6 ft (1.83 m), Straight

Wiring Diagram and Connector Wiring



The specification information listed is subject to change without notification.