



#1589 Sprinter II 1-Stage Alloy Tripod  
 #1580 Sprinter II 2-Stage Alloy Tripod  
 #1576 Sprinter II 2-Stage Carbon Tripod

**OPERATOR'S MANUAL**  
**SPRINTER II**

**FEATURES AND CONTROLS**

**2-stage tripod**

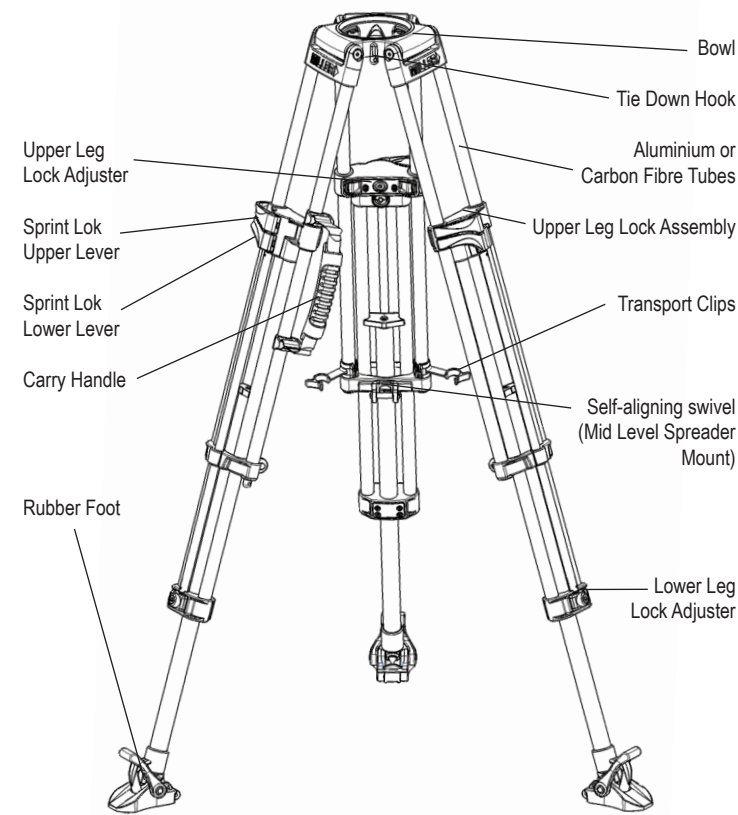


Fig 1.

**1-stage tripod**

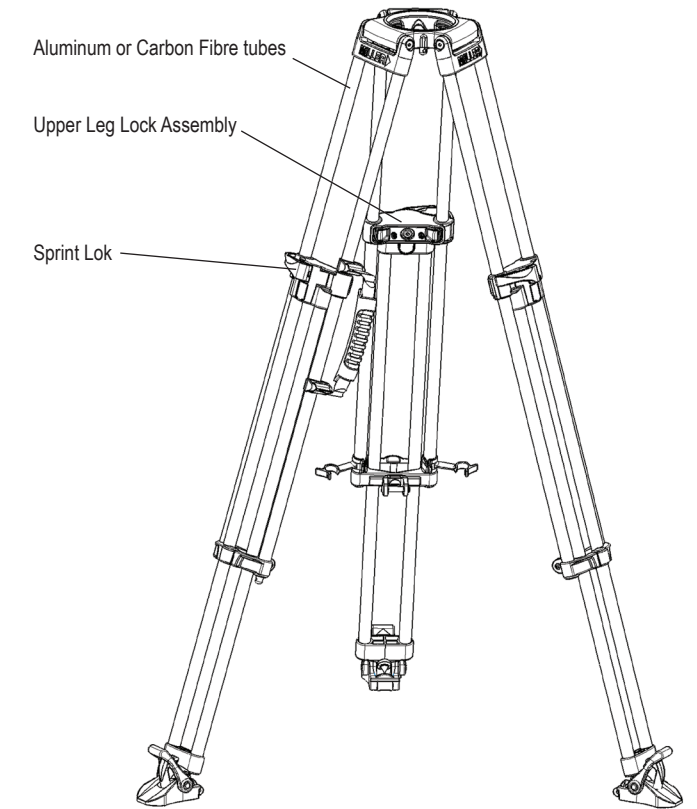


Fig 2.

**ACCESSORIES & COMPONENTS**

Cat #	Description
#475	Rubber Feet (set of 3)
#993	Mid Level Spreader
#470	Ground Spreader
P5380	Carry Handle Assembly
P6434	Sprint-Lok Upper Lever
P6436	Sprint-Lok Lower Lever
P5330	Transport Clip
P6579	5mm Hex Key

**SERVICE, SALES & SUPPORT**

Miller Authorised Service Agents must carry out all service and repair work on Sprinter tripods. Failure to observe this requirement may void warranty. It is advisable to notify Miller or a Miller Authorised Service Agent if a change of performance is observed as a result of dropping or rough usage. For information regarding sales and service of Miller products, or for your nearest Miller representative, please contact us via our website or at the following:

**MILLER CAMERA SUPPORT EQUIPMENT**  
 30 Hotham Parade, Artarmon, Sydney  
 NSW 2064 Australia  
 Tel: +61 2 9439 6377  
 Fax: +61 2 9438 2819  
 Email: sales@miller.com.au

**MILLER CAMERA SUPPORT LLC (USA)**  
 218 Little Falls Road, Cedar Grove,  
 New Jersey 07009-1231 USA  
 Tel: (973) 857 8300  
 Fax: (973) 857 8188  
 Email: sales@millertripods.us

**MILLER FLUID HEADS (Europe) LTD.**  
 Unit 12A, Shepperton Business Park  
 Govett Avenue, Shepperton  
 Middlesex TW17 8BA United Kingdom  
 Tel: +44 (0)1932 222 888  
 Fax: +44 (0)1932 222 211  
 Email: sales@millertripods-europe.com

**INTRODUCTION**

Thank you for purchasing the Sprinter II Tripod. The Sprinter II Tripod has been designed to suit payload capacities from lightweight DVCAM up to standard configuration EFP cameras.

The Sprinter II Tripod is available in 1-Stage or 2-Stage models. The 2-Stage Tripod comes in ultra-light, high strength carbon fibre tubing or in durable and cost effective anodised alloy tubing. The Sprinter II Tripod is designed primarily to give excellent stability and durability. While many integrated features enable the user to operate the Tripod safely and easily – such as the Inline Carry Handle, Co-Located side action levers, Forever-Flat rubber feet, Fine height adjustable Mid-level spreader and self aligning swivel for rapid leg deployment.

The Sprinter II Tripod will give best performance when used with the Arrow Fluid Head range. This will ensure maximum system stability to suit any professional set-up. The Sprinter II Tripod will suit most industry standard 100 mm Fluid Heads as well, please refer to manufacturers' manual for mounting details.

**TECHNICAL DATA**

Cat#	#1589	#1580	#1576
Tube Configuration	1 Stage	2 Stage	2 Stage
Tube Material	Alloy	Alloy	Carbon Fibre
Maximum Load	45kg	45kg	45kg
Weight	3.0kg	3.5kg	2.9kg
Maximum Height- mm (in)			
Mid Level Spreader	1435 (56.5)	1530 (60.2)	1530 (60.2)
Ground Spreader	1430 (56.3)	1565 (61.6)	1565 (61.6)
Minimum Height- mm (in)			
Mid Level Spreader	670 (26.4)	440 (17.3)	440 (17.3)
Ground Spreader	635 (25.0)	415 (16.3)	415 (16.3)
Transport Length- mm (in)	840 (33.1)	700 (27.6)	700 (27.6)

**WARRANTY**

Please refer to warranty card for complete details

**WEBSITE [www.millertripods.com](http://www.millertripods.com)**



## TRIPOD SET-UP

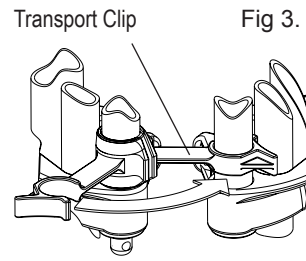
1. Before setting-up the tripod, the Mid Level Spreader or the Ground Spreader must be attached.
2. Remove tripod from the Softcase and unclip the Transport Clips.
3. Place the Tripod Feet on level surface (if possible) and release the Sprint Lok Upper Lever on each leg.
4. Lift the top of the tripod to a desired height and then apply the Sprint Lok Upper Lever on each leg.
5. Release the Sprint Lok Lower Lever on each leg, then lift the tripod to a desired height and then apply the Sprint Lok Lower Lever on each leg.
6. Spread the Tripod Legs apart, check that the Tripod Bowl is approximately level to the ground.
7. Check that the tripod is secure.

## TRIPOD PULL DOWN

1. Remove the camera from the Fluid Head.
2. Retract the spreader arms fully.
3. Hold and lift off the ground by two legs, then bring the legs inwards.
4. While holding the top of the tripod, release the Sprint Lok Upper Lever and Sprint Lok Lower Lever on each leg then lower completely.
5. Apply the Sprint Lok Upper Lever and Sprint Lok Lower Lever on each leg.
6. Attach both Transport Clips and return the tripod to the Softcase.

## TRANSPORT CLIPS

The 2 Transport Clips (Fig 3), are designed to hold the Sprinter tripod's three legs together during transport. Their spring-loaded design means they are easily gripped and detached for set up, and reattached. The Transport Clips must be securely attached before transporting the tripod.



## CARRY HANDLE

The Sprinter II Inline patented Carry handle (fig 4.) is designed so the Sprinter II tripod and fluid head remain balanced while being carried by hand. The rubber handle offers secure grip, while the flexible nylon attachments let it rest, between the tripod legs, during shooting.



Fig 4.

## LEG LOCK ADJUSTMENT

Over time the leg locks may need adjusting to prevent leg slippage.

**Upper Leg Lock: ( Fig 7.)**  
For 1 & 2 stage Sprinter II Tripod.

Adjust the Upper Leg Lock Assembly in a locked position using (supplied) 5mm Hex Key - P6579.

1. Extend the upper stage half way and lock the Upper Lever.
2. Turn the Upper Leg lock adjuster clockwise 1/8th of a turn. Release Sprint Lok Upper Lever and ensure that stage slides freely.
3. When adjusted correctly Leg Lock Lever should only have a small amount of "free play" before locking action commences. If this free play is excessive repeat the steps above.

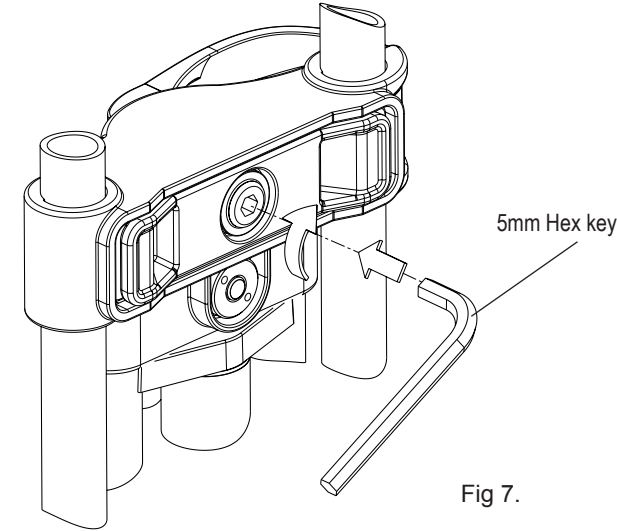


Fig 7.

**Lower Leg Lock: (Fig 8.)**  
For 2 stage Sprinter II Tripod only.

Adjust the Lower Leg Lock Assembly in locked position using a (supplied) 5mm Hex Key. - P6579

1. Extend the lower stage half way and lock the Lower Lever.
2. Tighten the lower leg lock adjuster screw gradually clockwise 1/8th of a turn. Release Lower Lever and ensure leg slides freely.
3. When adjusted correctly Leg Lock Lever should only have a small amount of "free play" before locking action commences. If this free play is excessive repeat the steps above.

When finished, ensure that all Leg Lock Levers lock flush with the tripod brackets.

5mm Hex key

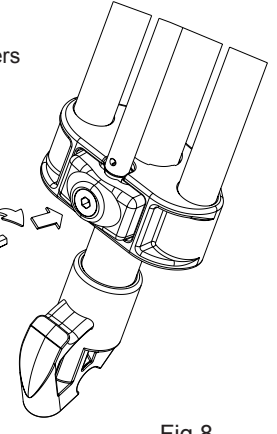


Fig 8.

**Test each leg lock assembly by:**

- Unlocking and locking lever several times.
- The lever should close with a definitive 'click'.
- The end of the lever should close against the bracket.
- The tripod legs must slide freely when unlocked.

## SPREADERS

**Mid Level Spreader (Fig 5.)**

The Mid Level Spreader allows the setting of the Tripods footprint and fine height adjustment. The tripod height and overall footprint can be adjusted by turning the Spreader Adjusting knob or by adjusting the length of the telescopic spreader arms.

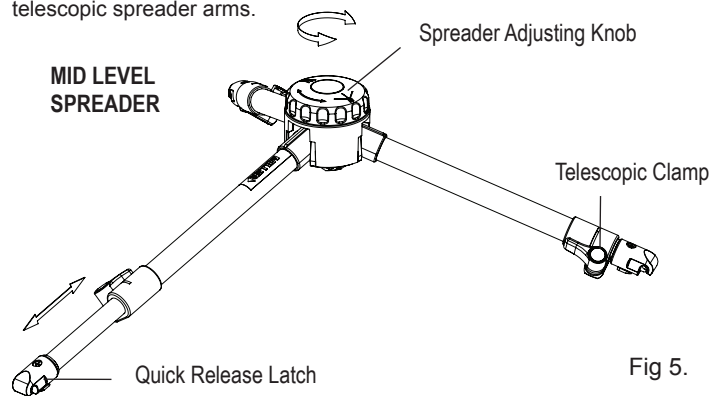


Fig 5.

**Spreader Set-up**

1. Turn the Spreader Adjusting Knob counter-clock wise to the open position.
2. Stand the Tripod upright with legs spread out equally.
3. Release the Telescopic Clamp on the spreader arm then latch the Quick Release Latch on to the Self Aligning Swivel, repeat for the remaining two arms.
4. Bring each Tripod leg in such that the corresponding Spreader arm is fully retracted then lock the Telescopic Clamp, repeat for each Spreader arm.
5. Bring the Tripod legs towards the centre position, if resistance is felt do not force the Tripod legs, spread out the Tripod legs and make sure that the Spreader arms are fully retracted.

**Spreader Pull Down**

1. Remove the Camera and the Fluid Head from the Tripod.
2. Stand the Tripod upright with legs spread out equally and the Mid Level Spreader in the open position.
3. Pull back the Quick Release Latch knob and lift the Spreader arm from the Self Aligning Swivel, repeat for the remaining two arms.

**Ground Spreader (Fig 6.)**

The Miller Ground Spreader provides adjustment of each spreader arm to allow for lower height settings or uneven ground.

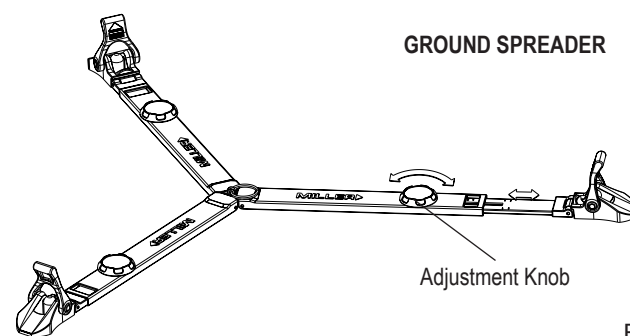


Fig 6.

**Spreader Set-up**

1. Place the Ground Spreader on flat ground.
2. Place the socket of the Tripod Foot on to the ball of the Rubber Foot then pull the Rubber Stirrup up and over the Tripod Foot shoulder, repeat for the remaining two Tripod Feet.

**Spreader Pull Down**

1. Remove the Camera and the Fluid Head from the Tripod.
2. Pull the Rubber Stirrup up and outwards over the Tripod Foot shoulder, repeat for the remaining two Tripod Feet.

## LEG TO BOWL ADJUSTMENT

The leg to bowl pivot joint on the Sprinter tripod should have no lateral or free play movement and should swing with a firm, smooth resistance. Adjustment is usually not required; however, should it become necessary, the following procedure must be observed. (Fig 9.)

1. Leg to Bowl Adjustment to eliminate lateral or free play movement: Using a cross head screwdriver, ensure Bracket Mounting Screws on both sides of the Leg Top Bracket are tight. Retighten if necessary. Check all legs.
2. Leg pivot or 'swing' adjustment to ensure firm, smooth resistance. Tighten the Leg Pivot Screws on each side of the Leg Top Bracket using a 4mm Hex key until a smooth resistance is maintained. Check all legs.

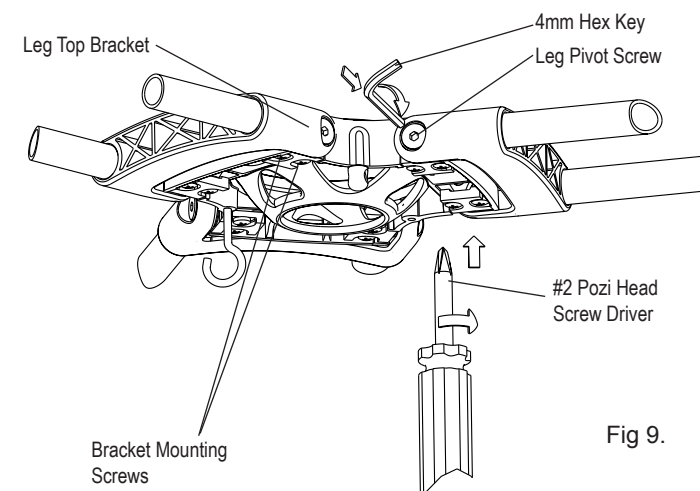


Fig 9.

## SAFETY

Ensure that all equipment is operating correctly and free from defects and damage, also please ensure that the tripod is steady, secure and that the bowl is approximately horizontal when attaching the camera. The operator is responsible for the safe operation of this equipment.

1. Do not exceed the maximum payload capacity of the Tripod.
2. Do not leave the camera unattended on the Fluid Head.
3. Do not adjust the tripod Leg locks whilst the camera is attached to the Fluid Head.
4. Do not move the Tripod whilst the camera is attached to the Fluid Head.
5. Do not remove the Mid Level Spreader or Ground Spreader whilst the camera and fluid head is attached.

## MAINTENANCE

Regularly inspect the tripod, paying particular attention to any tube damage, leg lock adjustment, leg top adjustment, condition of the bowl rim, spreader mounting points, carry handle and feet.

Keep grit and dirt out of Sprint Loks as much as possible, including behind levers. Regularly clean the tripod with a clean damp rag or soft brush. Wipe off all sand, dust and salt spray.

Do not clean with solvents, cleaning fluids, lubricants, polishes, abrasives or wire brushes.

Transport and store the tripod in Miller case wherever possible. Store the tripod in a dry place, away from direct sunlight.