

DT 108

Headset with
dynamic Microphone



FEATURES

- Highly sensitive headphone and microphone transducers
- Excellent ambient noise attenuation
- Capable of handling very high SPL
- Rugged construction
- Excellent comfort for long-term wearing
- Modular construction for easy servicing

APPLICATIONS

The DT 108 single-muff headset is designed for live, remote broadcasting, for studio, film and TV-applications. One side is open to monitor ambient sound. The protective ear cap attenuates up to 20 dB of ambient noise. The headset features a noise cancelling microphone. Available in different impedances.

VERSIONS

DT 108	Single-ear-headset, 200/50 Ω , grey, with bare-ended K 109.00 cable	Order # 421.669
DT 108	same as above, but black	Order # 421.677
DT 108	Single-ear-headset, 200/400 Ω , grey, with bare-ended K 109.00 cable	Order # 421.057
DT 108	same as above, but black	Order # 421.790
DT 108.28	Single-ear-headset, 200/400 Ω , grey, with K 109.28 cable with 4-pin XLR-socket, 1.5 m long	Order # 453.374
DT 108.28	same as above, but black	Order # 453.366
DT 108.38	Single-ear-headset, 200/50 Ω , grey, with K 109.38 cable with 5-pin XLR-plug, 1.5 m long	Order # 453.390
DT 108.38	same as above, but black	Order # 453.382
DT 108.42	Single-ear-headset, 200/50 Ω , grey, with K 109.42 cable with 4-pin XLR-plug, 1.5 m long	Order # 453.412
DT 108.42	same as above, but black	Order # 453.404

OPTIONAL ACCESSORIES

K 109.00	Straight bare-ended cable, 3 m long	Order # 127.949
K 109.28	Straight cable with 4-pin XLR-socket, 3 m long	Order # 220.132
K 109.38	Straight cable with 5-pin XLR-plug, 1.7 m long	Order # 406.538
K 109.40	Straight cable with 3-pin XLR-plug and 1/4" jack (6.35 mm), 1.5 m long	Order # 449.121

SPARE PARTS

EDT 100 S	Ear pads, soft PVC, circumaural	Order # 407.003
EDT 100 P	Ear pads, plush, circumaural	Order # 445.576
EDT 100 T	Ear pads, cotton jersey, circumaural	Order # 445.584
BN 59-18/A	Headband pad	Order # 108.715
BN 56-79/A	Pop screen (5 pcs.)	Order # 108.677

Germany

Theresienstr. 8
D-74072 Heilbronn
Tel. +49 (0)71 31 / 6 17-0
Fax +49 (0)71 31 / 617-224
E-mail: info@beyerdynamic.de
Internet: www.beyerdynamic.de

United States

56 Central Ave.
Farmingdale, NY 11735
Tel. +1 (631) 293-3200
Fax +1 (631) 293-3288
E-mail: salesUSA@beyerdynamic.com
Internet: www.beyerdynamic.com

Great Britain

17 Albert Drive
Burgess Hill RH15 9TN
Tel. +44 (0)1444 / 258 258
Fax +44 (0)1444 / 258 444
E-mail: sales@beyerdynamic.co.uk
Internet: www.beyerdynamic.co.uk

TECHNICAL SPECIFICATIONS

Headphone

Transducer type	Dynamic
Operating principle	Closed
Frequency response	30 - 20,000 Hz
Nominal impedance	400 Ω \pm 10% per cartridge*
Nominal SPL at 1 kHz	94 dB
T.H.D.	< 1%
Power handling capacity	1000 mW \triangleq 124 dB
Ambient noise attenuation	approx. 20 dBA
Sound coupling to the ear	Circumaural
Headband pressure	approx. 4.5 N
Weight (without cable)	283 g
Cable length	1.5 m

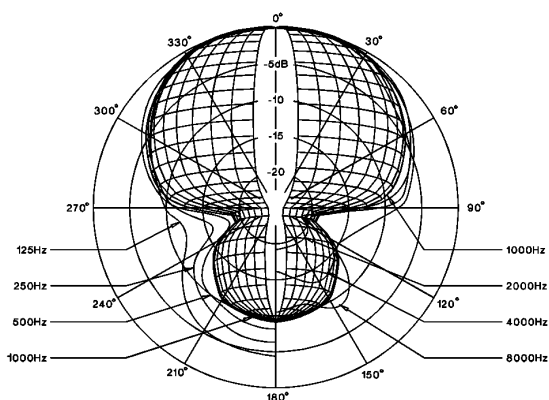
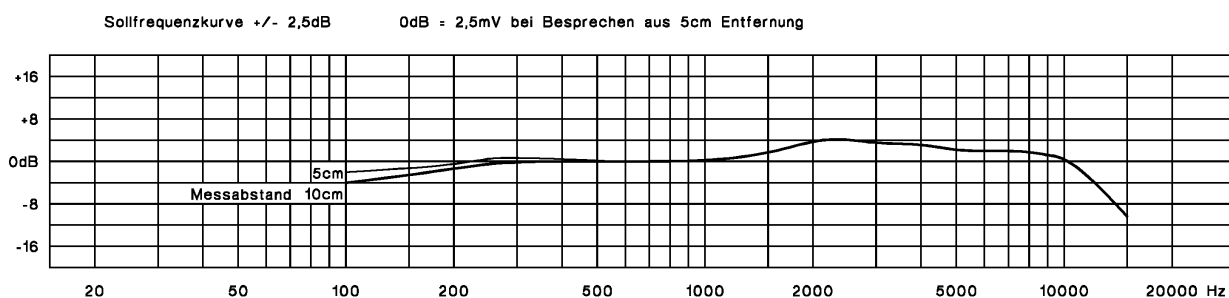
Microphone

Transducer type	Dynamic
Operating principle	Pressure gradient
Frequency response	40 - 12,000 Hz
Polar pattern	Hypercardioid
Output voltage	approx. 2.5 mV at a distance of 5 cm
Nominal impedance	200 Ω
Load impedance	\geq 1000 Ω

*more impedances available

FREQUENCY RESPONSE & POLAR PATTERN

This frequency response curve (measuring tolerance \pm 2.5 dB) and polar pattern correspond to a typical production sample for this microphone.



WIRING DIAGRAM

