

MARS 400

User Manual

DESCRIPTION

Thank you for purchasing Hollyland MARS 400 wireless HD video transmission system. The product uses currently newest encode, decode and 5G wireless transmission technologies. And can achieve ultra-low latency video transmission. It transmits over 400ft with a clean line of sight (LOS), supports up to 1080P 60Hz resolution, and in the end achieves Full HD HDMI video transmission.

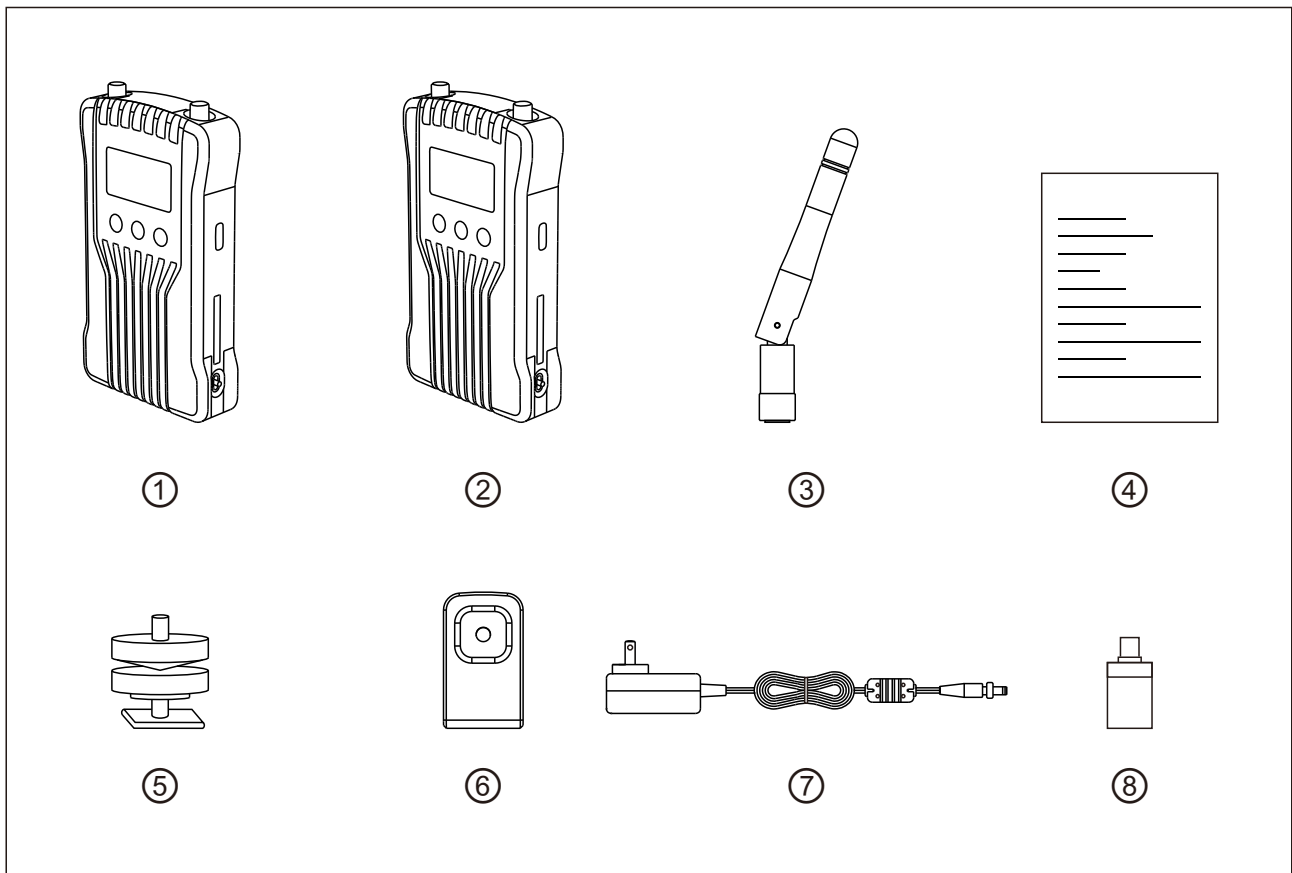
KEY FEATURES

- 400ft Transmission Range
- Less than 0.1s Latency
- HDMI Input & HDMI Loop Out, Dual HDMI Output
- Mounting Batteries for Both the Transmitter and Receiver
- 6~16V DC Power Input
- 1 Transmitter with Multiple Receivers
- Smart Terminal Monitoring
- Smart Channel Selecting
- USB Firmware Upgrade
- OLED Display
- Stable & Reliable Industrial Metal Case

APPLICATIONS

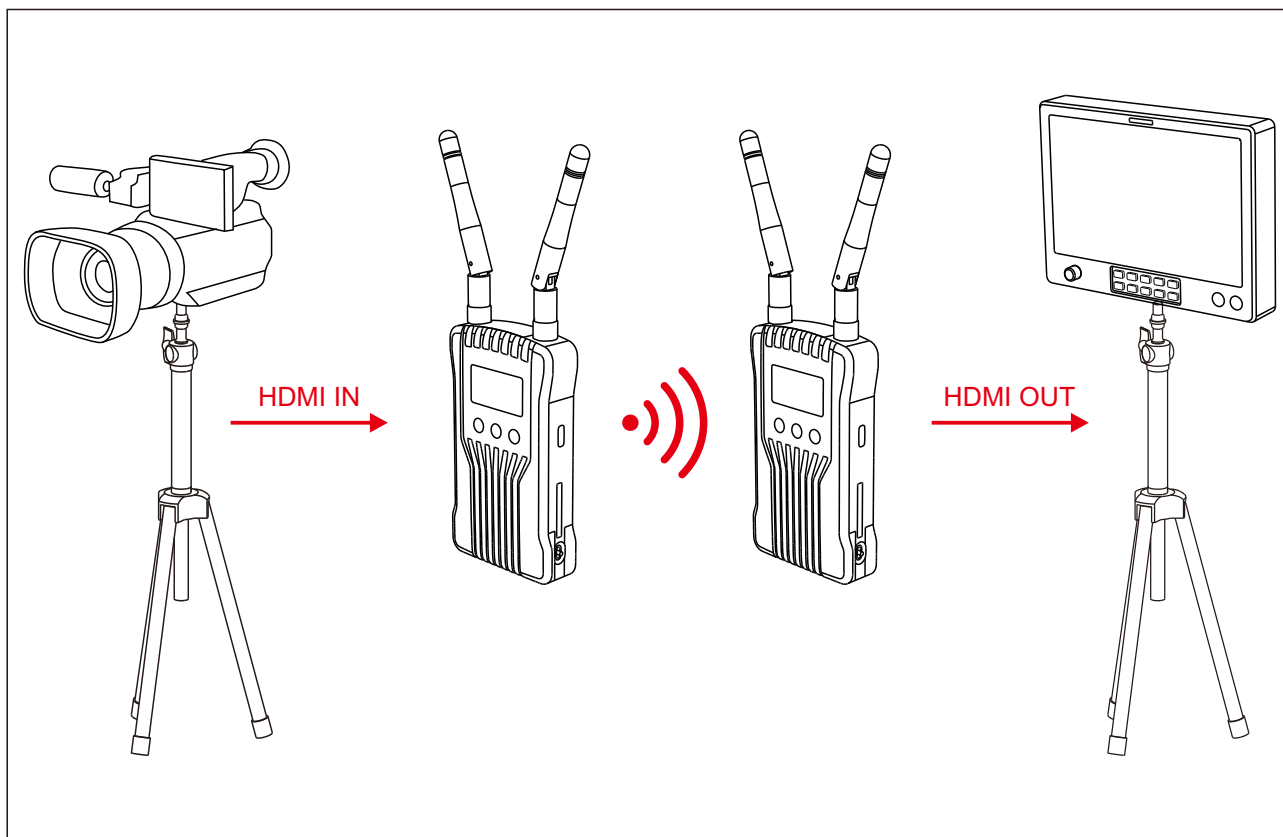
- Filmmaking
- Live Broadcasting
- Sports Activities
- Education Recording
- Wedding Ceremonies
- Corporate Events

PACKING LIST



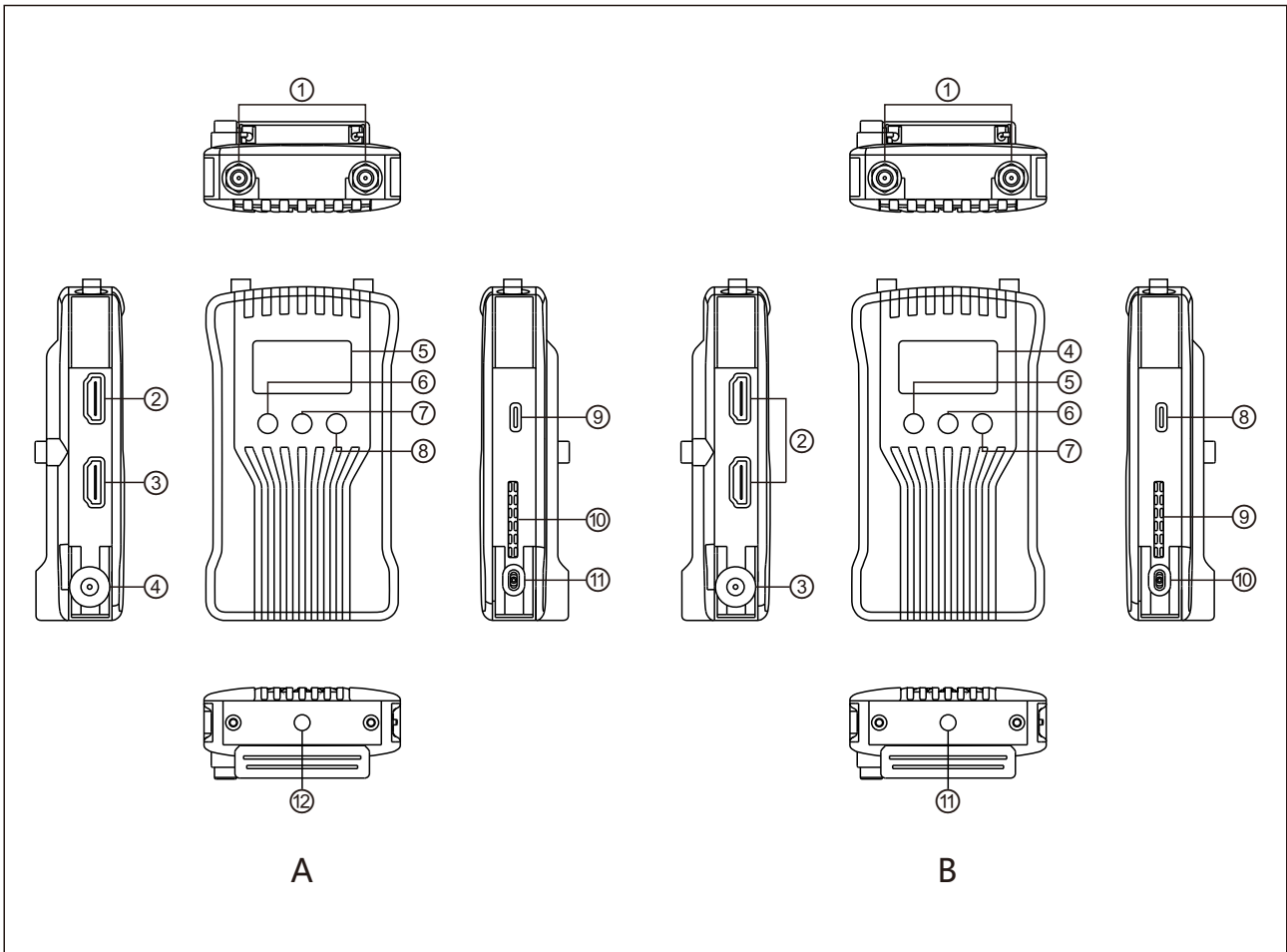
① Transmitter	x1
② Receiver	x1
③ Antenna	x5
④ Quick Guide	x1
⑤ Cold Shoe	x1
⑥ Expansion Accessory	x1
⑦ DC Adapter	x1
⑧ Type-C Converter	x1

STANDARD SETUP



This wireless HD video transmission system uses the latest wireless communication technology, and transmits ultra-low latency HD video transmission. The transmitter supports HDMI Input and HDMI loop out, while the receiver supports dual HDMI output. It is equipped with OLED display screen and supports Smart Terminal Monitoring.

PRODUCT INTERFACES



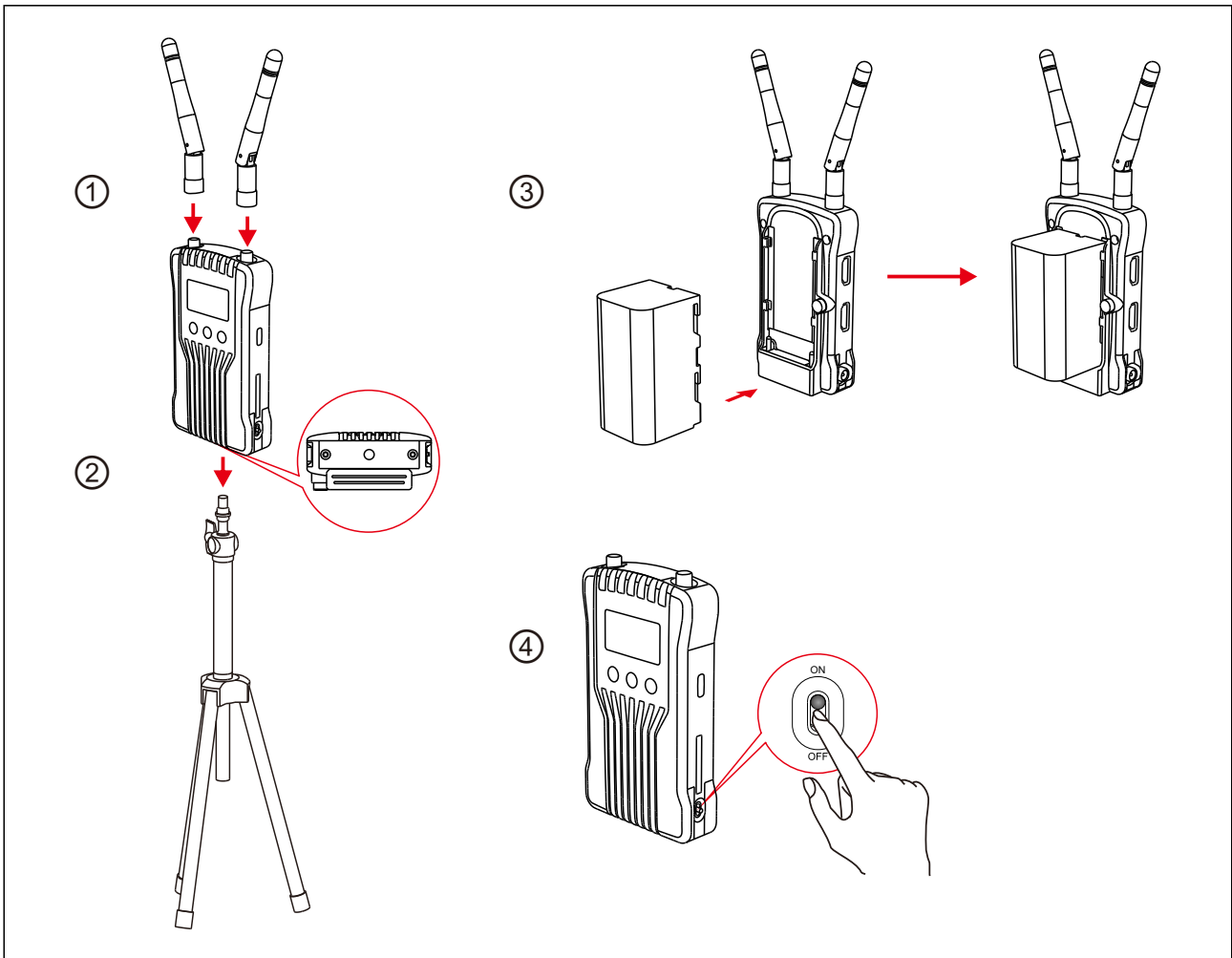
A TRANSMITTER

- ① Antenna Interface
- ② HDMI Input
- ③ HDMI Loop Out
- ④ DC Input
- ⑤ OLED Display
- ⑥ Down
- ⑦ OK
- ⑧ UP
- ⑨ USB Upgrade Interface
- ⑩ Fan Air Outlet
- ⑪ Power Switch
- ⑫ 1/4 Screw Hole

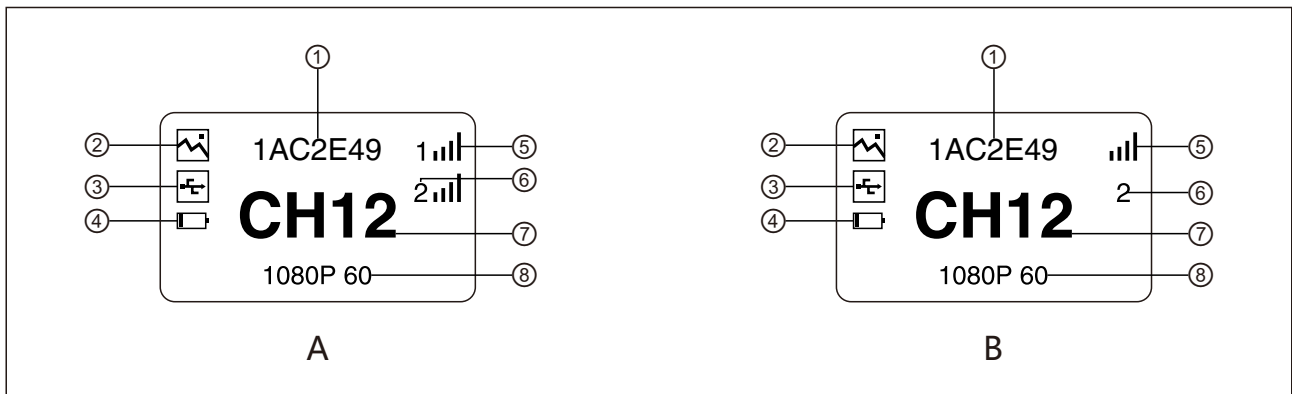
B RECEIVER

- ① Antenna Interface
- ② HDMI Output
- ③ DC Input
- ④ OLED Display
- ⑤ Down
- ⑥ OK
- ⑦ UP
- ⑧ USB Upgrade Interface
- ⑨ Fan Air Outlet
- ⑩ Power Switch
- ⑪ 1/4 Screw Hole

INSTALLATION



- ① Install the antenna as demonstrated
- ② Mount and fixed the transmitter & receiver
- ③ Connect to a power supply
- ④ Turn on the device



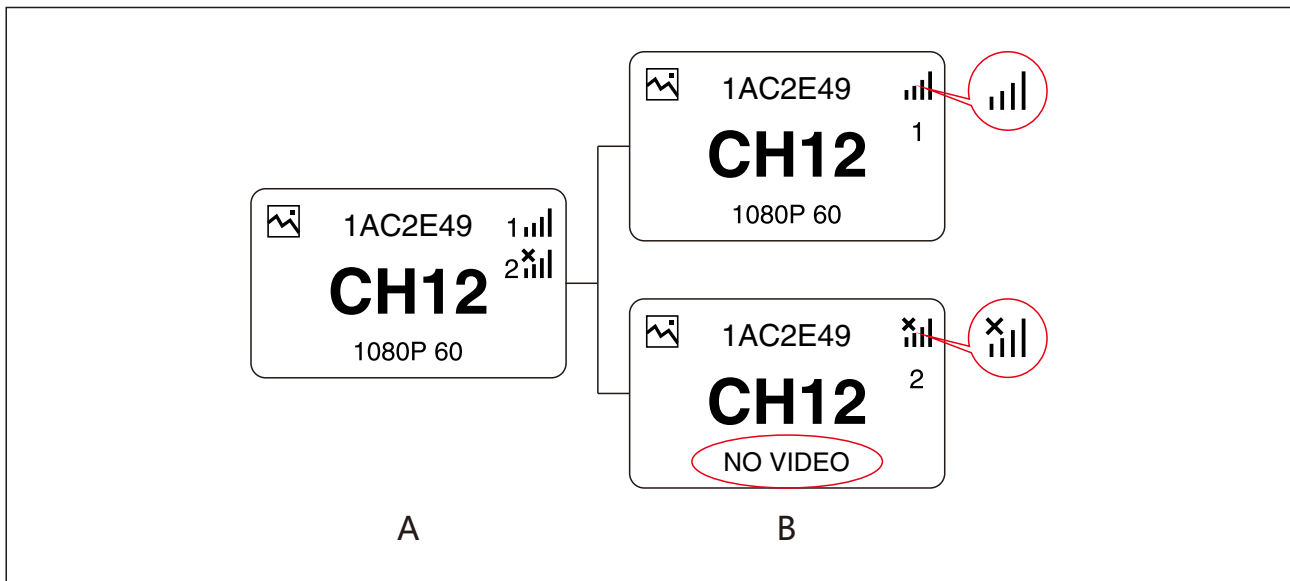
A TRANSMITTER

- ① Device ID
- ② Scene Mode
- ③ USB Stick Detection Display
- ④ Battery Status
- ⑤ Signal Strength
- ⑥ Receiver Number
- ⑦ Channel Display
- ⑧ Video Format

B RECEIVER

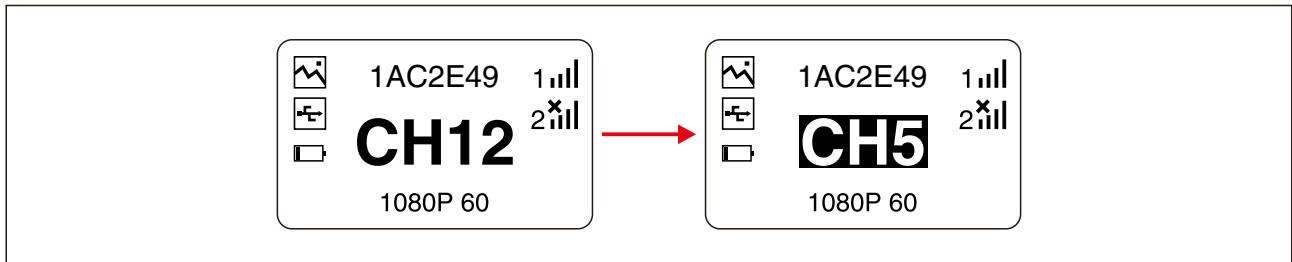
- ① Device ID
- ② Scene Mode
- ③ USB Stick Detection Display
- ④ Battery Status
- ⑤ Signal Strength
- ⑥ Device Number
- ⑦ Channel Display
- ⑧ Video Format

STATUS DESCRIPTION



1. When the devices are disconnected, a cross “×” will appear above the signal strength bars on both the transmitter and receiver. As shown in the above diagram, device 1 is on connected status, device 2 is on disconnected status.
2. As shown in the above diagram, “NO VIDEO” will appear on the screen if there is no video input detected, and the video format will appear if there is a video input detected.

STATUS DESCRIPTION

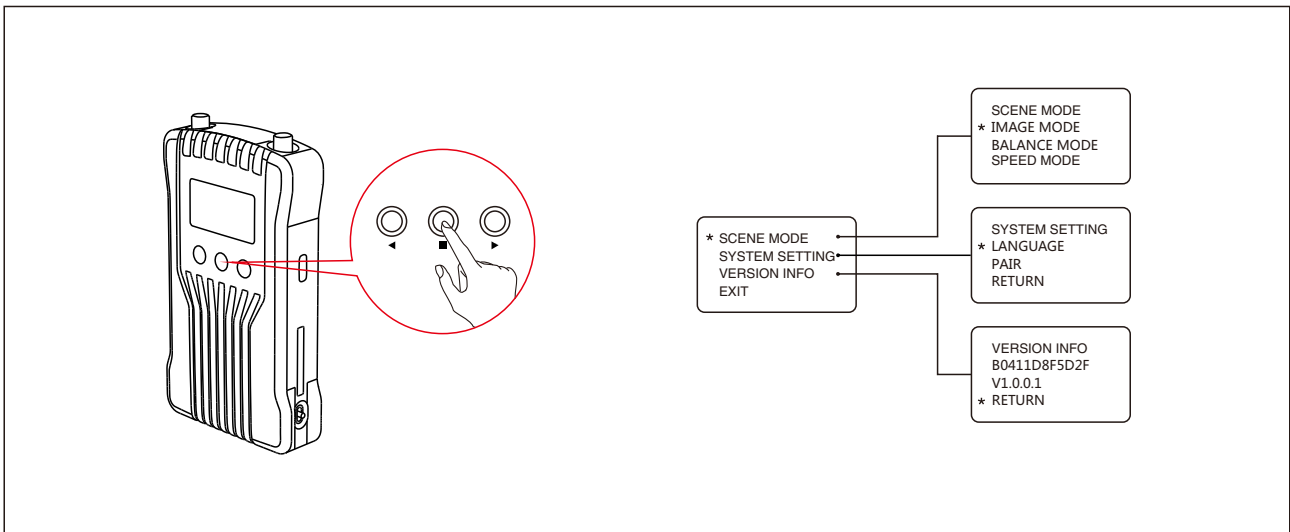


3. The black and bold text on white background means that it is the DFS channel, while the white text on the black background is the non-DFS channel.
4. When the device detects the USB stick connected, the USB stick detection display lights up.
5. When the voltage is too low, the low battery alarm will be triggered and the icon will flash slowly.

■ CAUTION

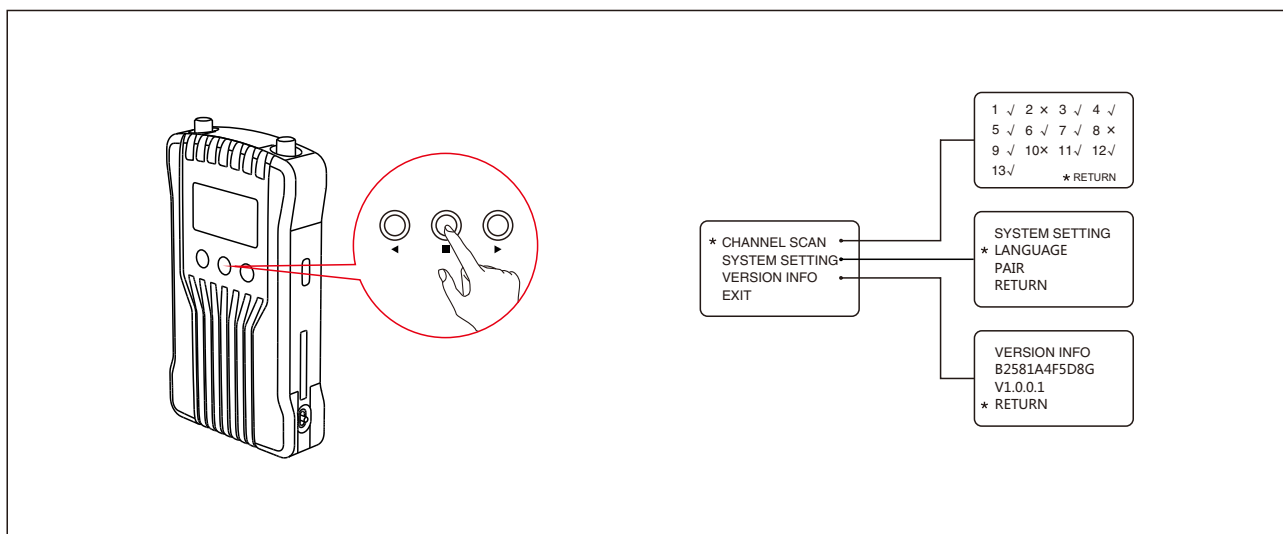
- When the receiver is not connected, it will not display the hotpot number.
- When the receiver is turned on, the channel number will not be displayed before the receiver is connected with transmitter.

QUICK GUIDE



■ TRANSMITTER

1. Long press “OK” button for about 3 seconds, entering into the root menu interface, it includes scene mode, system setting, version information options.
2. Select “SCENE MODE”, then click “OK” button, you can select “IMAGE MODE”, “BALANCE MODE”, “SPEED MODE”.
3. Select “SYSYTEM SETTING”, then clicking “OK” button, you can select “LANGUAGE (Chinese/English)”, “PAIR”, “RESET”.
4. Select “VERSION INFO”, then click “OK” button, you can check the version information.



RECEIVER

1. Press “OK” button for about 3 seconds, entering into the root menu interface which includes channel scan, system setting, version information options.
2. Select “CHANNEL SCAN”, then click “OK” button, the device will scan and detect the current frequency environment, available “✓”, unavailable “×”.
3. Select “SYSTEM SETTING”, then click “OK” button, you can select “Language (Chinese/English)”, “PAIR”, “RESET”.
4. Select “VERSION INFO”, then click “OK” button, you can check the version information.

■ CHANNEL CHANGE

Press the channel button “UP/DOWN” on the transmitter or receiver to change the current channel. Press “OK” to confirm the channel, then the channel of the transmitter and receiver will be automatically and synchronously changed.

■ DEVICE UPGRADE

1. Copy upgrade firmware to a USB stick.
2. Insert the USB stick into the OTG converter and connect it with the USB Type-C upgrade interface on the transmitter.
3. Reset the device, and enter into upgrade interface.
4. Once the upgrade is complete, it will display “upgrade successfully”, and device will be automatically upgraded.

■ CAUTION

- USB stick should be at FAT32 or exFAT format.

■ SMART TERMINAL MONITORING

■ Android system installation and use

1. The application name is “HollyView”. It is available on Hollyland's official website and Android APP store.

2. No.1

Scan the device QR code, the APP will be automatically connected to the device. Enter the main interface, you can monitor the video.

No.2

Input the device ID number, manually connect the device, enter the main interface, and you can monitor the video.

■ IOS system installation and use

1. The application name is “HollyView”. It is available at APP Store.
2. Using methods are the same as the above.

PARAMETERS

	Transmitter (TX)	Receiver (RX)
Interface	HDMI Input (Type A Female) HDMI Loop Out (Type A Female) 2 Antenna Interfaces (RP-SMA Male) DC Input, Type-C USB;	HDMI Output 1 (Type A Female) HDMI Output 2 (Type A Female) 2 Antenna Interfaces (RP-SMA Male) DC Input, Type-C USB;
Supply Interface	6~16V DC	6~16V DC
Power Consumption	<10W	<6W
Weight	165g	165g
Size	110*62*28mm (L*W*H) External antennas and battery plate excluded	110*62*28mm (L*W*H) External antennas and battery plate excluded
Input Video Format	HDMI: 480P60,576P50,720P50/60, 1080i50/60,1080P30/50/60	/
Output Video Format	/	HDMI: 480P60,576P50,720P50/60, 1080i50/60,1080P30/50/60
Frequency	5GHz	5GHz
Modulation Mode	OFDM	OFDM
Transmission Power	Maximum 21dBm	/
Receiver Sensitivity	/	-80dBm
Transmission Latency	Less than 0.1s	
Bandwidth	20MHz	20MHz

■ CONNECTION ISSUES

1. Please check and make sure the power supplies function well of the transmitter and receiver.
2. If the battery indication shows at its low battery, please replace the battery in time.
3. Please try to change to another channel and connect the devices again.
4. Please re-pair the devices.
5. Please check if the antennas on the transmitter and receiver are correctly installed.

■ DISPLAY ISSUES

1. Please check if the video source is correctly connected with the HDMI IN interface.
2. Please check if the transmitter shows a video format. If not, please check if the HDMI cable is connected with transmitter and camera successfully and if there is a video output from camera.
3. Please check if the camera output video format is compatible with this device.

■ APP CONNECTING ISSUES

1. For Android systems, please make sure to select Non DFS channel.
2. Please check the number of APP devices. One transmitter supports maximum 1 receiver and 4 App monitoring devices, or 1 transmitter with maximum 2 receivers, with no APP monitoring.

■ IMAGE LOW QUALITY ISSUES

1. Please set “SCENE MODE” to “IMAGE MODE”.
2. Please check HDMI (IN/OUT) cable is stably connected.
3. Please make sure the transmitter and receiver are installed at least 1.5m above the ground.
4. Please check the signal strength status. If it is with only 1 bar signal, it means that the signal strength is very weak. In this case, please change the channel or shorten the device distance.



 HollylandTech

 HollylandTech

 HollylandTech

 sales@Hollyland-tech.com

 www.hollyland-tech.com