

SK 2020-D Digital Tourguide bodypack transmitter

FEATURES

- Digital RF signal transmission
- 6 channels in the licence-free frequency range
- Microphone input (3.5 mm screw-type jack socket) with adjustable sensitivity
- Line input (3.5 mm screw-type jack socket) with adjustable sensitivity
- Audio level meter for microphone and line input
- Backlit display for status informations

The SK 2020-D, a digital Tourguide transmitter, will allow you to deliver a highly professional guided tour. Combining the bodypack transmitter with an headworn or clip-on microphone, will give you total freedom of movement during your tour. You will have both hands free to describe an object, make a presentation and express your point. The transmitter can be easily and comfortably operated, and is highly robust. The backlit display confirms channel choice, the radio signal and the status of the battery. Two jacks for the microphone and line ensure variable utilization. For example, you will be able to transmit an external audio source such as music from a portable CD player via your transmitter and continue to talk or mute the microphone.



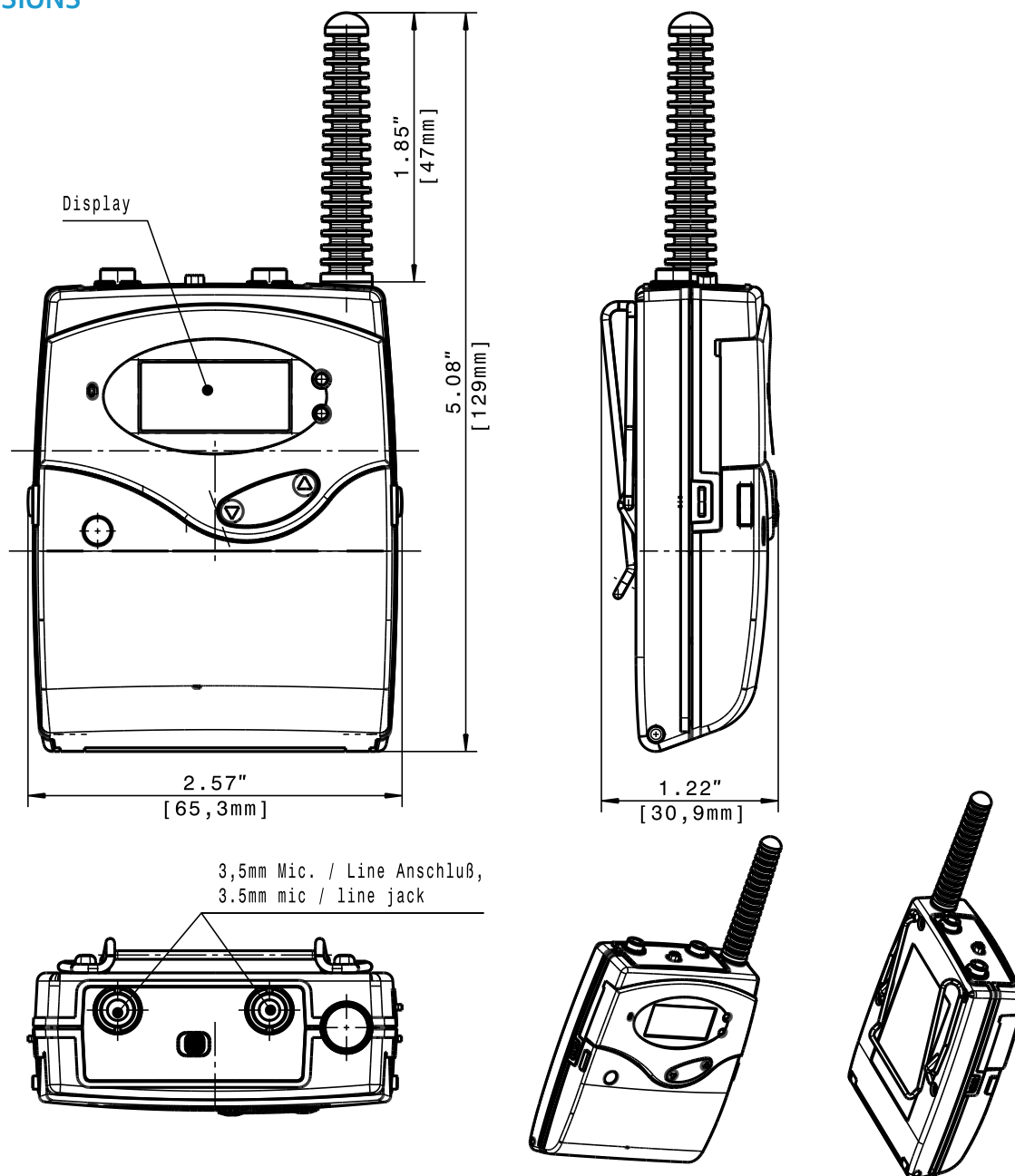
ARCHITECT'S SPECIFICATIONS

TECHNICAL DATA

Modulation.....	2 FSK
RF frequency range.....	863 – 865 MHz 926 – 928 MHz (US-Version)
Channels.....	6
Frequency response.....	100 – 7000 Hz
RF output power.....	10 mW
Signal-to-noise ratio.....	> 65 dB(A)
Max. mic/line input voltage.....	microphone: 650 mVrms, line: 2 Vrms
Operating time.....	10 h (BA 2015)
Power supply.....	BA 2015 (2,4 V; 2x AA 1,5 V)
Operating temperature.....	0 ... +50 °C
Weight incl. Battery.....	420 g (14.81 oz)
Dimensions.....	approx. 64 x 82 x 24 mm (2.52" x 3.23" x 0.94")
Range Indoor.....	up to 50 m (164.04 ft)
Range Outdoor.....	up to 100 m (328.08 ft)
Delivery.....	SK 2020-D

SK 2020-D Digital Tourguide bodypack transmitter

DIMENSIONS



PRODUCT VARIANTS

SK 2020-D	Cat. No. 500548
SK 2020-D US	Cat. No. 500549

RECOMMENDED ACCESSORIES

EZL 2020-20	Cat. No. 500542
L 2015	Cat. No. 009828

Sennheiser electronic GmbH & Co. KG
 Am Labor 1, 30900 Wedemark, Germany
www.sennheiser.com

 **SENNHEISER**