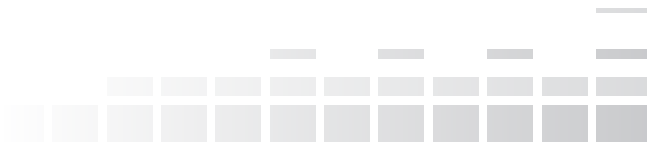


innkeeper LTD™

Digital Hybrid



FEATURES

	AH	LTD
» Enable/Disable Auto-Answer	●	●
» Excellent Separation of Caller and Talent Voice		●
» 16-bit DSP technology		●
» Hybrid Null Adjust (Up to 20 dB Separation)	●	
» Proprietary Auto Null Algorithm (50 dB null)		●
» Front Panel Off-Hook LED	●	●
» Send XLR Line Input	●	●
» Caller XLR Line Output	●	●
» Send and Caller Signal Level LEDs		●
» Remote Control Terminals	●	
» Guest Module 1 Remote Control Jack		●
» Rack Mountable	●	●
» Passive Design (No Battery or AC Required)	●	

Go digital for more desirable quality.

Compared to the AutoHybrid, the innkeeper LTD auto-answer/disconnect hybrid allows you to send line level signals into the phone line while maintaining greater separation between the talent's voice and the caller. The balanced XLR output jack contains only the caller's voice, making this the perfect companion to mixers, consoles, and PA systems that demand talk show quality audio from a phone line.

16-bit DSP Technology. The digital hybrid connects audio signals to a standard analog telephone line without the transmit / receive crosstalk common to analog hybrids. Its Digital Signal Processor (DSP) continuously monitors both the phone line and audio signals to deliver excellent separation. This proprietary, dual-convergence echo canceller algorithm can achieve excellent separation, typically exceeding 50 dB, without any setup and without sending a noise burst down the line. While this may sound complicated, it's all done automatically during every call.

Remote Control. Control innkeeper LTD with the Guest Module 1.

AutoHybrid shown for comparison

AH = AutoHybrid **LTD** = innkeeper LTD

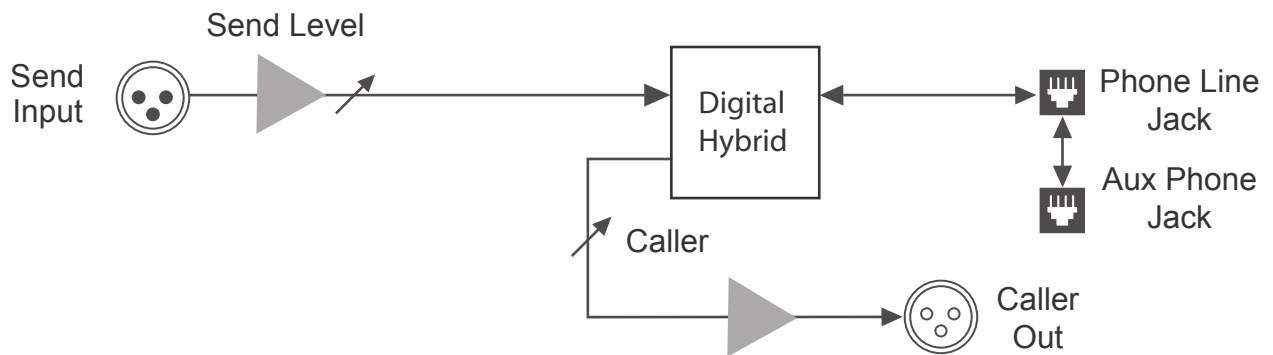


innkeeper LTD™

Digital Hybrid



BLOCK DIAGRAM



SPECIFICATIONS

Input

Balanced Female XLR Mics:	20k ohms / 500 mV RMS; -4 dBu nom.; +12 dBm max
----------------------------------	--

Output

Balanced Male XLR:	200 ohms / 500 mV RMS; -4 dBu nom.; +14 dBu max; Caller Only
Phone Line Connector:	RJ11C
Aux Phone:	RJ11C

Ringer:	0.8B REN
Isolation:	1500 VAC
Frequency Response:	Telephone Side 200 Hz-3600 Hz
Power:	120-240 VAC Power Supply (included)
Size:	7.6" x 5.3" x 1.5" (20 x 14 x 4 cm)
Weight:	2.7 lbs (1.2 kg)

