

FreeSpeak Edge™ battery charger

Quick Start Guide

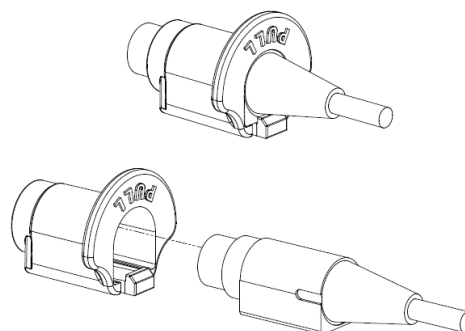


FreeSpeak Edge™ is a member of Clear-Com's FreeSpeak™ family of digital wireless intercom solutions. A FreeSpeak Edge battery charger (AC80) allows you to charge up to four FreeSpeak Edge beltpacks simultaneously. You can use it either as a drop-in charger for the whole beltpack, or you can charge separate beltpack Li-Ion batteries (BAT80) in the charging slots provided. The charger is a desktop unit.

Installing the battery charger

- 1) Place the charger on a desktop or similar surface.
- 2) Connect the power supply to the power connector.

For ease of use, install the power cable in the quick release sleeve as shown.



Charging the beltpack

- 3) Insert either the beltpack containing the battery, or the battery itself into one of the recharging bays on the battery charger. A red LED indicates that the battery is charging.
- 4) If you are charging the battery while it is still in the beltpack battery compartment, an illuminated beltpack key (Talk key A) indicates the charging status. The table below shows the charging status conditions.



Status indicator	Status
Talk key A or charger status LED red	Charging
Talk key A or charger status LED green	Fully charged
Beltpack screen	Displays the charge status bar and the software version.

- 5) Wait until the charging LED turns from red to green. The battery is now fully charged.

Charge time:

- Battery in the beltpack – up to 5 hours
- Battery only – up to 3.5 hours

Note: If a beltpack is on when placed in the charger, when removed the RF is re-enabled and the beltpack attempts to reconnect to its previous system. If a beltpack is off when placed in the charger, it powers off when removed.

General Battery Safety Instructions for Battery Models: **BAT41, BAT50, BAT60, BAT70, BAT80**

BAT80 batteries are specifically designed only for use with product(s) offered by: HM Electronics Inc. (HME) Clear-Com LLC, an HME Company

SAFETY PRECAUTIONS To ensure the safety and reliability of your Battery, follow the guidelines in this section.

Using the Battery



WARNING! Do Not Abuse/Modify Battery Packs

Lithium-ion cells and battery packs may get hot, explode or ignite and cause serious injury if modified or abused.

Follow the safety instructions below:

- Do not place the battery in fire or heat the battery.
- Do not connect the battery backward, so the polarity is reversed.
- Do not connect the positive terminal and negative terminal of the battery to each other with any metal object (such as a wire).
- Do not carry or store the battery together with necklaces, hairpins or other metal objects.
- Do not pierce the battery with nails, strike the battery with a hammer, step on the battery or otherwise subject it to strong impacts or shocks.
- Do not solder directly onto the battery.
- Do not expose the battery to water or salt water, or allow the battery to get wet.
- Do not disassemble or modify the battery. The battery contains safety and protection devices which, if damaged, may cause the battery to generate heat, explode or ignite.
- The protection circuit module provided with battery packs is not to be used as a substitute for a shut off switch.
- Do not place the battery in or near fire, on stoves or in other high temperature locations.
- Do not place the battery in direct sunlight, or use or store the battery in cars in hot weather. Doing so may cause the battery to generate heat, explode or ignite. Using the battery in this manner may also result in a loss of performance or shortened life expectancy.
- When the battery is worn out, insulate the terminals with adhesive tape or a similar non-conducting material before disposal.
- Immediately discontinue use of the battery if, while using, charging, or storing the battery, the battery emits an unusual smell, feels hot, changes color or shape or appears abnormal in any other way.
- Do not place the battery in microwave ovens, high-pressure containers or on induction cookware.



In the event the battery leaks and the fluid gets into one's eye, do not rub the eye. Rinse well with water and immediately seek medical care. If left untreated, the battery fluid could cause damage to the eye.



If the device causes abnormal current to flow, it may cause the battery to become hot, explode, or ignite causing serious injury.

Charger Types

Your battery must only be charged with an HME/Clear-Com recommended charger ONLY. Any attempt to use other types of chargers may cause an explosive reaction, fire or chemical burns.

Battery Charger Models

BAT41 Charger Model: AC40 and AC40A
 BAT50 Charger Model: AC50
 BAT60 Charger Model: AC60
 BAT70 Charger Model: AC70
 BAT80 Charger Model: AC80

Charging the Battery

Be sure to follow the warnings listed below while charging the battery. Failure to do so may cause the battery to become hot, explode or ignite and cause serious injury.

- Do not continue charging the battery if it does not recharge as specified in the HME/Clear-Com User Guide, under charging instructions.
- Do not attach the battery to an external charger, power supply plug or directly to a car's cigarette lighter.

Recycling the Battery

If your business or household does not have a battery recycling program, go to the following URL or copy and paste the following URL into your browser, then enter your zip code for a list of recycling centers:
<http://earth911.com>

Additional information

For additional information scan the QR code.
www.clearcom.com/freespeak-edge-knowledge-center

